



# Illustrated Parts List

## Model Series

# 126300

TYPE NUMBERS  
0023 through 3776.

### TABLE OF CONTENTS

<b>Air Cleaner</b> .....	6
<b>Blower Housing</b> .....	7
<b>Camshaft</b> .....	2
<b>Carburetor</b> .....	4
<b>Controls</b> .....	5
<b>Crankcase Cover</b> .....	2
<b>Crankshaft</b> .....	2
<b>Cylinder</b> .....	2
<b>Cylinder Head</b> .....	3
<b>Electric Starter</b> .....	5
<b>Exhaust System</b> .....	6
<b>Flywheel</b> .....	7
<b>Fuel Supply</b> .....	4
<b>Gear Reduction</b> .....	6
<b>Governor Spring</b> .....	5
<b>Ignition</b> .....	5
<b>Kits/Gaskets - Carburetor</b> .....	4
<b>Kits/Gaskets - Engine</b> .....	2
<b>Kits/Gaskets - Valve</b> .....	3
<b>Lubrication</b> .....	2
<b>Piston Group</b> .....	2
<b>Rewind Starter</b> .....	7

PRINTED IN U.S.A.



COPYRIGHT by BRIGGS & STRATTON CORPORATION  
All rights reserved. No part of this material may be reproduced or transmitted, in any form or by any means, electronic or mechanical, including photocopying, recording or by any information storage and retrieval system, without permission in writing from Briggs & Stratton Corporation.

## 1319 WARNING LABEL



**REQUIRED** when replacing parts with warning labels affixed.

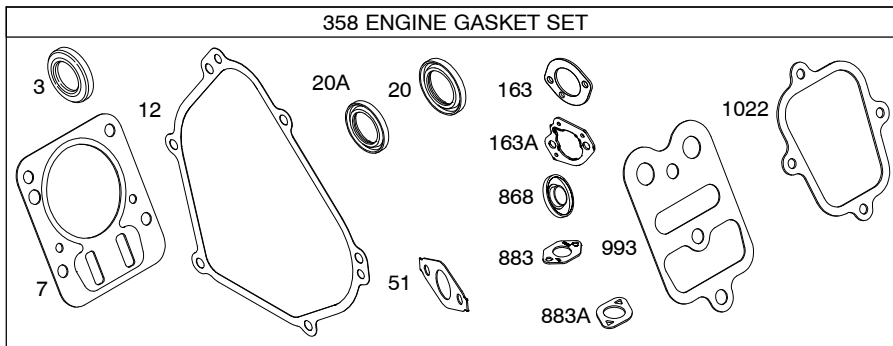
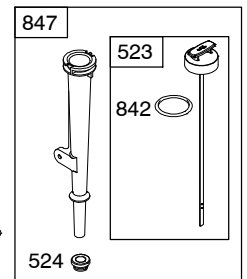
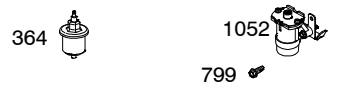
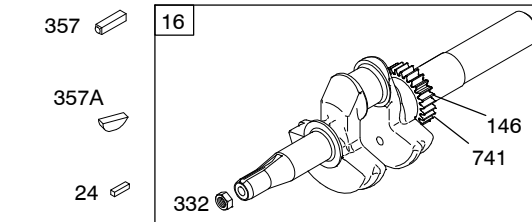
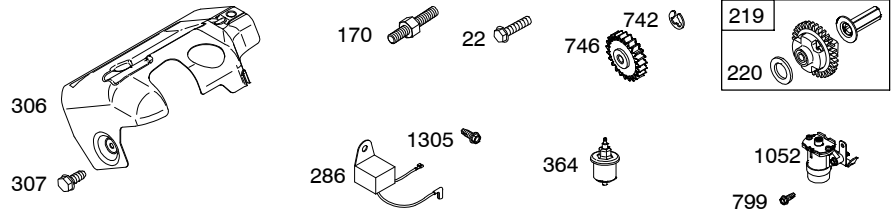
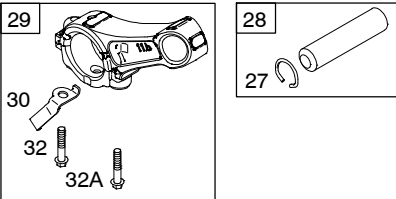
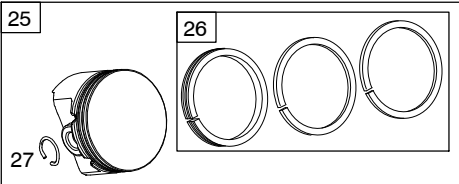
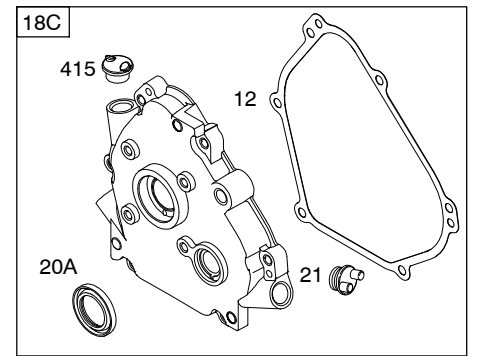
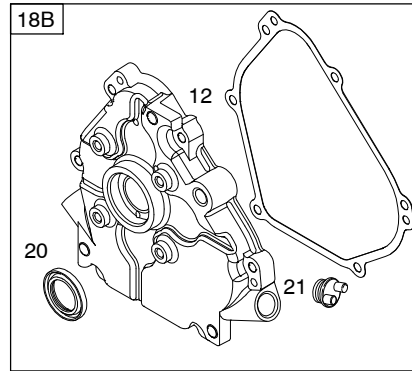
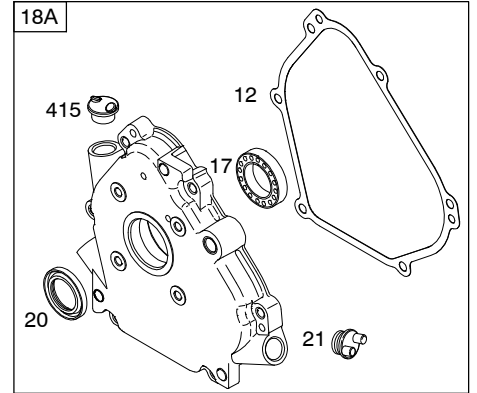
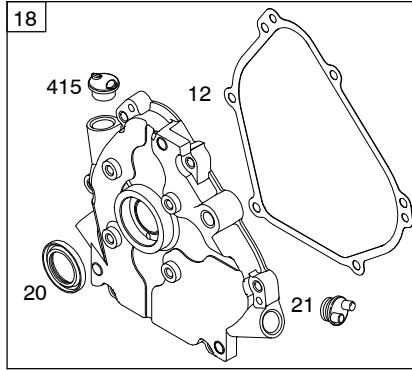
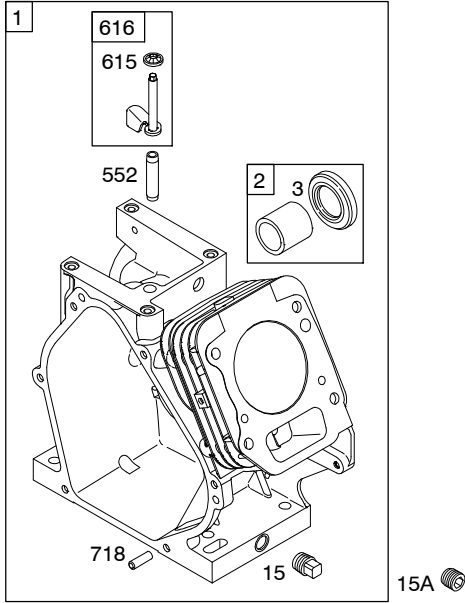
## 1058 OPERATOR'S MANUAL



## 1330 REPAIR MANUAL

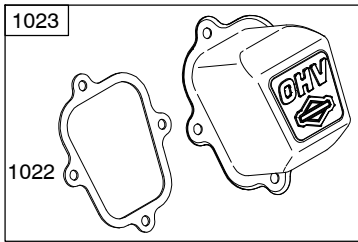
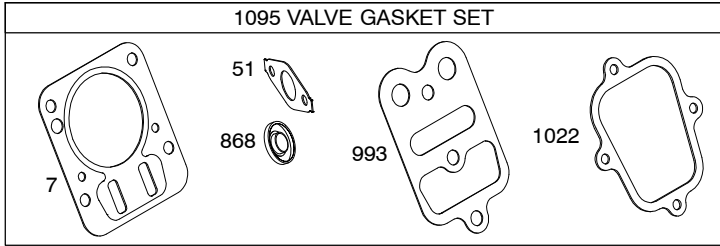
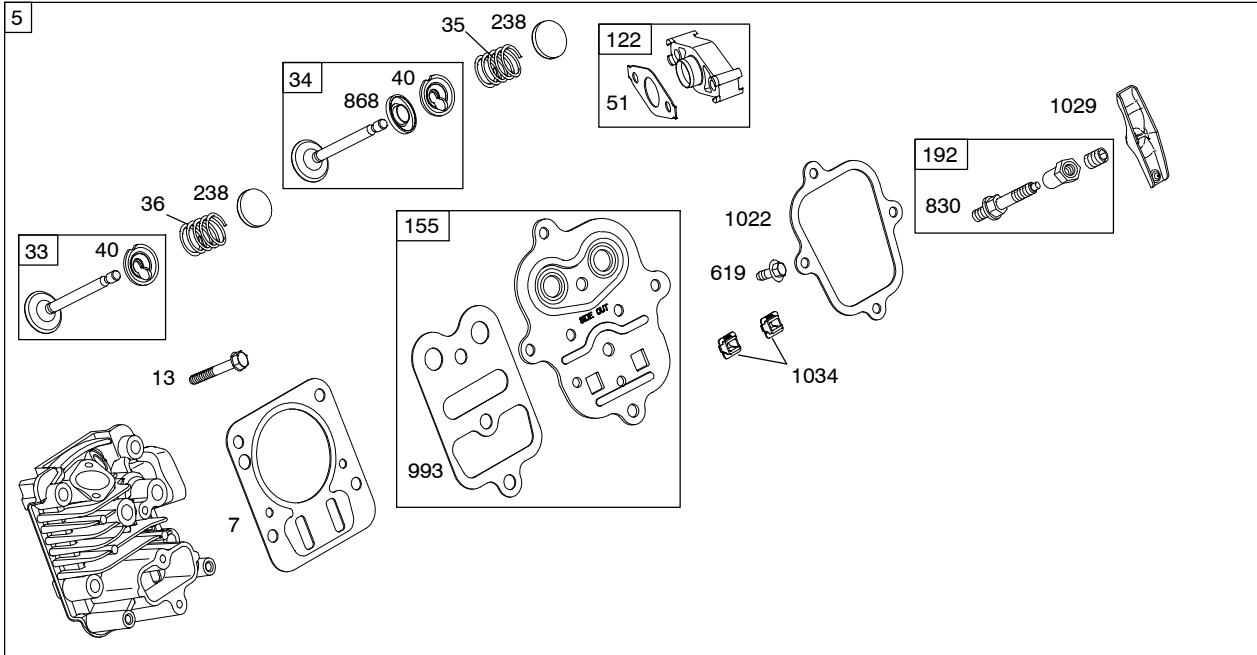


## 1019 LABEL KIT

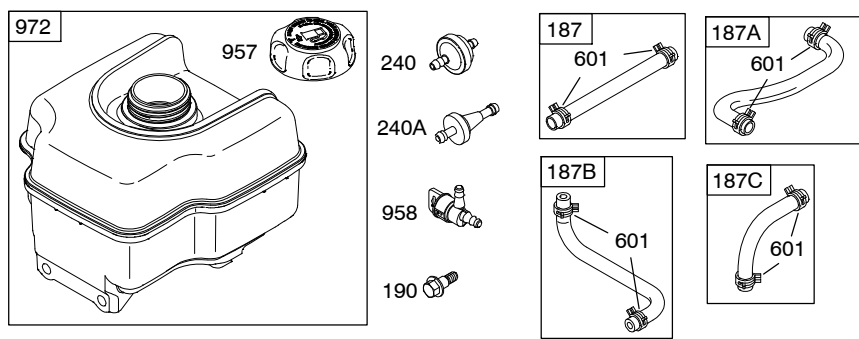
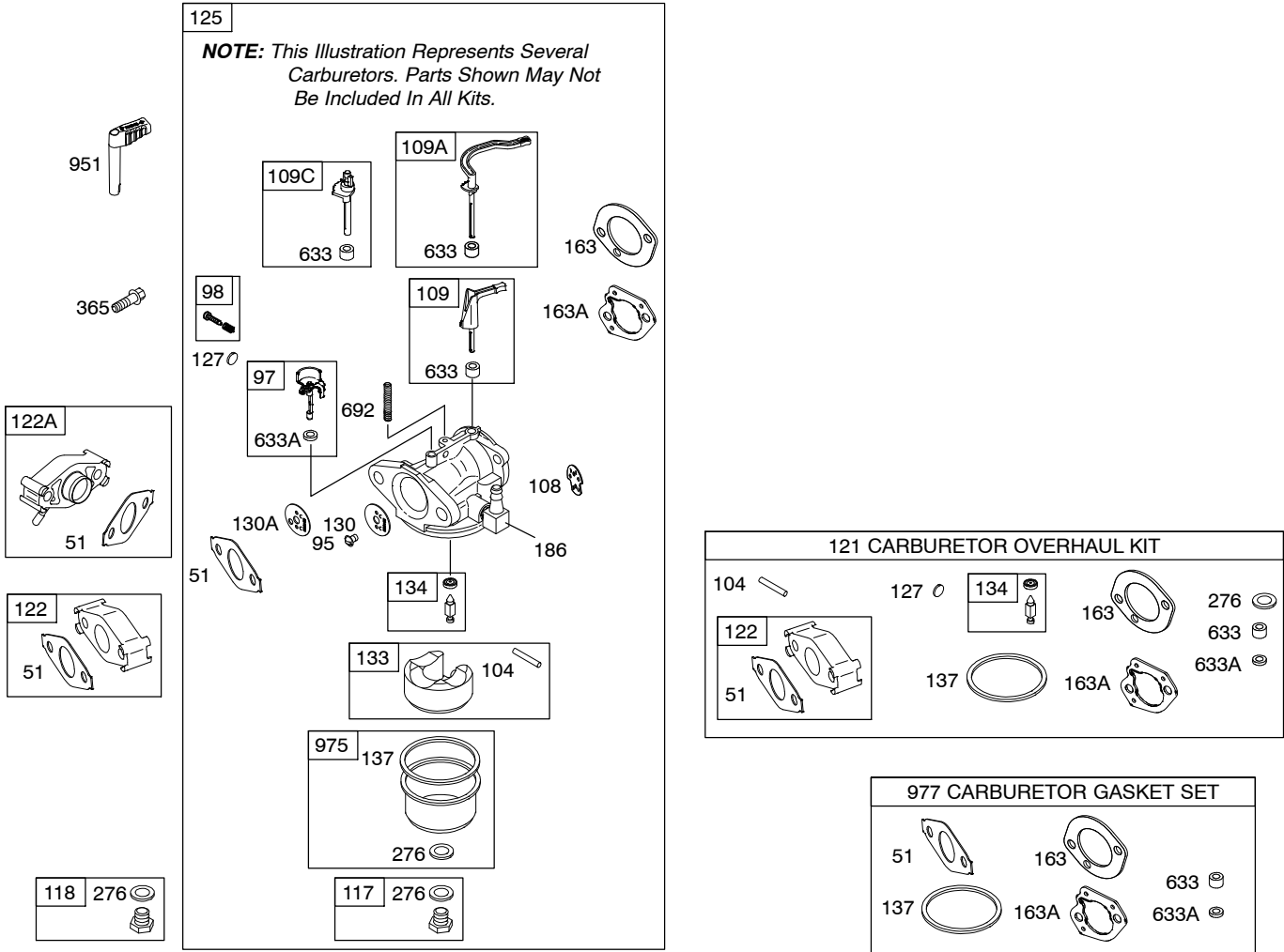


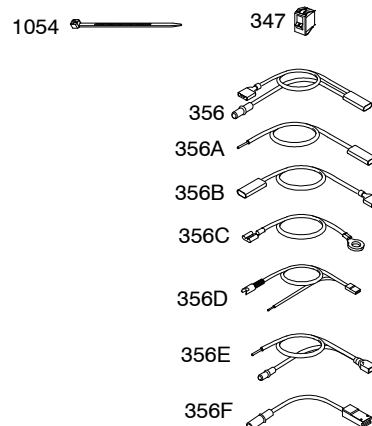
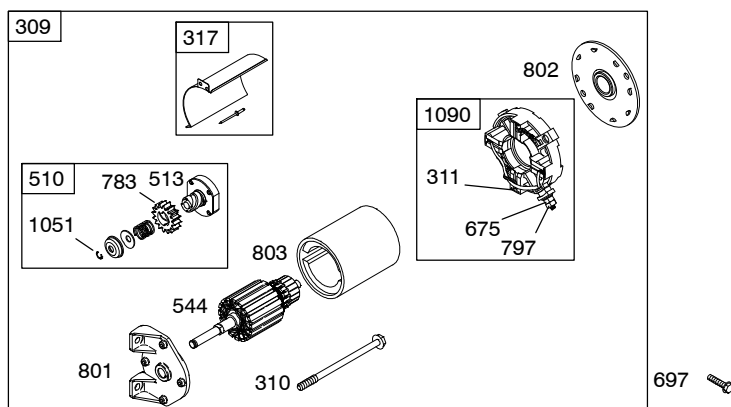
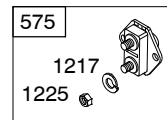
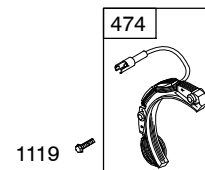
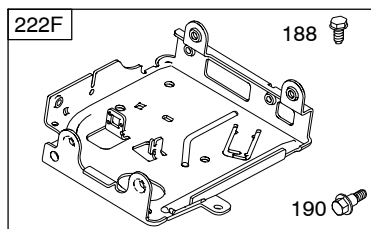
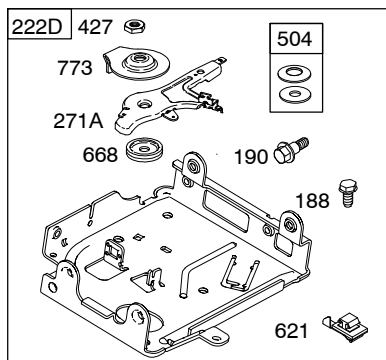
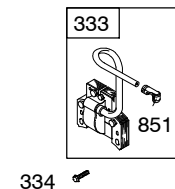
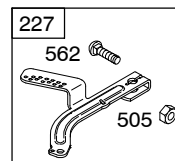
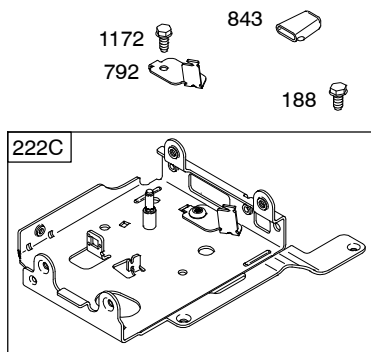
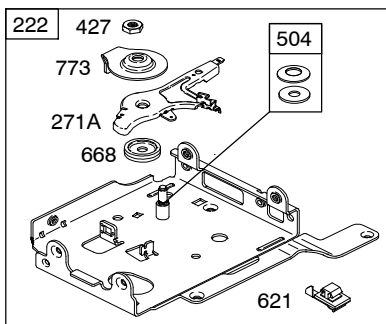
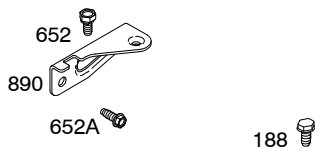
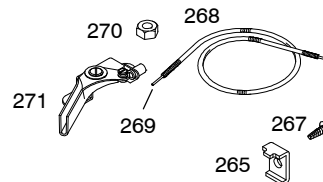
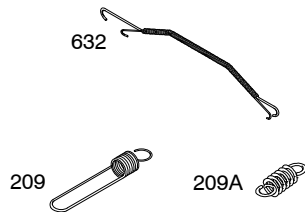
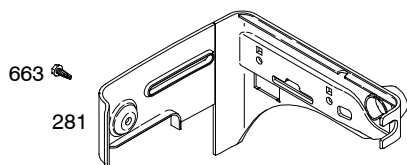
287 (nut)

Illustrations cover a range of engines. Parts shown without corresponding text may not be used on your specific engine.

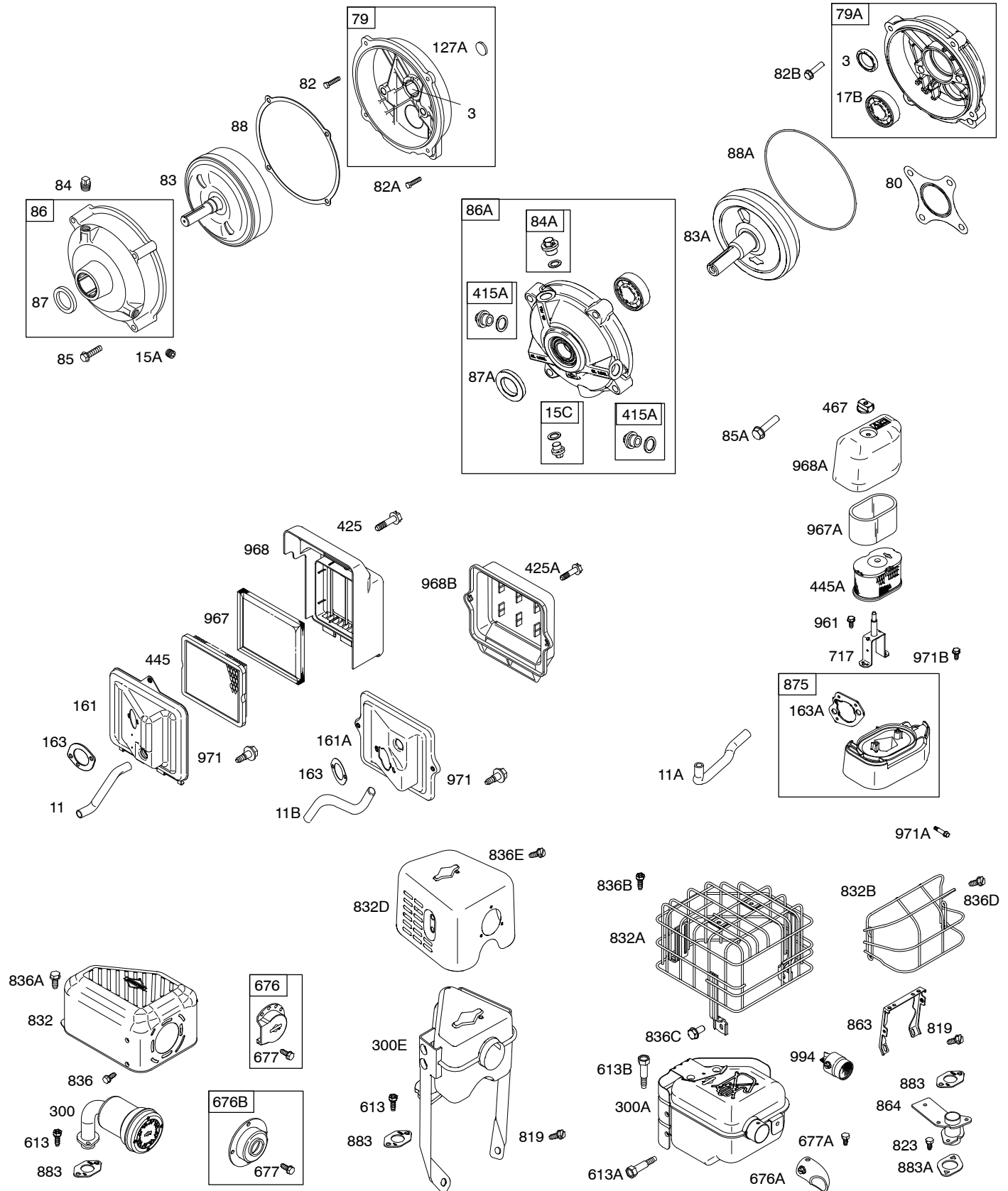


5718-3 **Illustrations cover a range of engines. Parts shown without corresponding text may not be used on your specific engine.**  
 Assemblies include all parts shown in frames.

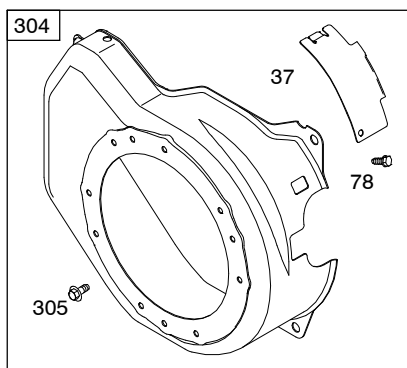
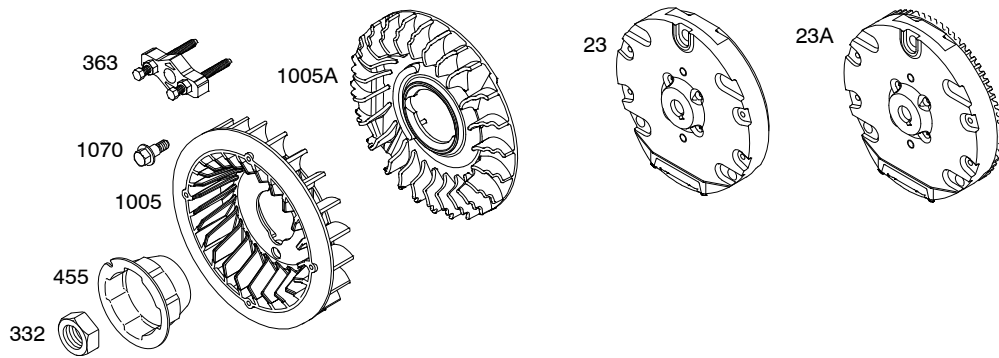




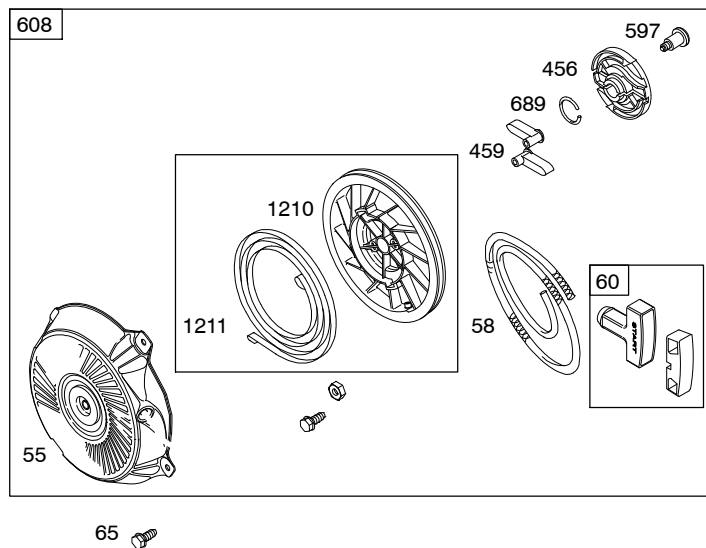
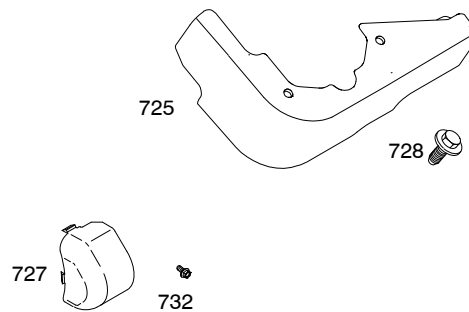
Illustrations cover a range of engines. Parts shown without corresponding text may not be used on your specific engine.  
 5718-5 Assemblies include all parts shown in frames. 06/10/2008



**Illustrations cover a range of engines. Parts shown without corresponding text may not be used on your specific engine.**  
**5718-6** Assemblies include all parts shown in frames. **06/10/2008**



1036 EMISSIONS LABEL



Illustrations cover a range of engines. Parts shown without corresponding text may not be used on your specific engine.  
 5718-7 Assemblies include all parts shown in frames. 06/10/2008

# 126300

REF. NO.	PART NO.	DESCRIPTION	REF. NO.	PART NO.	DESCRIPTION	REF. NO.	PART NO.	DESCRIPTION
1	699510	Cylinder Assembly	16	699445	Crankshaft	17	692517	Bearing-Ball
2	399269	Kit-Bushing/Seal (Magneto Side)			----- <b>Note</b> -----	17B	99158	Bearing-Ball
3	★299819S	Seal-Oil (Magneto Side)			792883 Crankshaft (Used After Code Date 06051600).	18	699804	Cover-Crankcase
5	699486	Head-Cylinder			Used on Type No(s). 0049,0050,0113,0138, 0289,0302,0400,0424, 0549,1049,1289.			----- <b>Note</b> -----
7	★Ø698210	Gasket-Cylinder Head			699444 Crankshaft (Used Before Code Date 06051700). Used on Type No(s). 0049,0113,0289.			699696 Cover- Crankcase Used on Type No(s). 0121,0122,0127,0134, 0139,0161,0191,0206, 0210,0245,0261,0264, 0270,0279,0296,0320, 0321,0368,0396,0416, 0421,0562,0563,0659, 0678,0776,3776.
11	692600	Tube-Breather (Flat Panel Air Cleaner)			699447 Crankshaft Used on Type No(s). 0038,0167,0174,0177, 0178,0216,0234,0262, 1167,1174,1178.			699804 Cover- Crankcase (Used After Code Date 07070200). Used on Type No(s). 0049,0050,0138,0289, 0302,0424,0549.
11A	693647	Tube-Breather (High Mount Air Cleaner)			699452 Crankshaft Used on Type No(s). 0158,0210,0245,0321, 0357,0413.	18A	699672	Cover-Crankcase Used on Type No(s). 0035,0036,0064,0120, 0124,0126,0135,0137, 0151,0162,0176,0202, 0205,0213,0215,0220, 0233,0237,0255,0259, 0285,0288,0303,0361, 0399,0535,0536,1035, 1036,1064,1237,1255, 1288.
11B	790632	Tube-Breather (Ultra Low Air Cleaner)			699449 Crankshaft Used on Type No(s). 0122,0161,0261,0270, 0359,0386,0562,0580, 0659.	18B	699761	Cover-Crankcase Used on Type No(s). 0113,0400,1049,1289. ----- <b>Note</b> -----
12	★699485	Gasket-Crankcase			699451 Crankshaft Used on Type No(s). 0060,0127,0130,0139, 0163,0191,0207,0212, 0227,0259,0264,0275, 0276,0278,0280,0281, 0282,0290,0295,0296, 0560,1207,1276,1280, 1281,1290,1560.			699761 Cover- Crankcase (Used Before Code Date 07070300). Used on Type No(s). 0049,0138,0289,0302, 0549.
13	699482	Screw (Cylinder Head)			699441 Crankshaft Used on Type No(s). 0035,0120,0124,0126, 0137,0151,0285,0301, 0399,0535,1035.	18C	699677	Cover-Crankcase Used on Type No(s). 0070,0117,0165,0199, 0229,0232,0235,0242, 0243,0247,0253,0271, 0272,0274,0286,0360, 0570,1070,1117,1199, 1229,1235,1242,1243, 1253,1274.
15	691686	Plug-Oil Drain (Square Head)			699443 Crankshaft Used on Type No(s). 0036,0064,0162,0176, 0202,0205,0213,0215, 0220,0233,0237,0247, 0255,0288,0303,0398, 0402,0536,1036,1064, 1237,1255.			
15A	691682	Plug-Oil Drain (Flush)						
15C	792750	Plug-Oil Drain						

★ Included in Engine Gasket Set-Ref. No.358.

● Included in Carburetor Overhaul Kit-Ref. No. 121.

◆ Included in Carburetor Gasket Set-Ref. No. 977.

Ø Included in Valve Gasket Set-Ref. No 1095.

**Illustrations cover a range of engines. Parts shown without corresponding text may not be used on your specific engine.**

5718-8

Assemblies include all parts shown in frames.

06/10/2008



REF. NO.	PART NO.	DESCRIPTION	REF. NO.	PART NO.	DESCRIPTION	REF. NO.	PART NO.	DESCRIPTION
20	★692550	Seal–Oil (PTO Side)	30	791584	Dipper–Connecting Rod	58	693389	Rope–Starter (Used After Code Date 08030200).
20A	★691952	Seal–Oil (PTO Side) Used on Type No(s). 0070, 0117, 0165, 0199, 0229, 0232, 0235, 0242, 0243, 0247, 0253, 0271, 0272, 0274, 0286, 0360, 0570, 1070, 1117, 1199, 1229, 1235, 1242, 1243, 1253, 1274.	32	691664	Screw (Connecting Rod)	----- <b>Note</b> -----		
21	281658S	Cap–Oil Fill	32A	695759	Screw (Connecting Rod)	60	490652	Grip–Starter Rope (2 Piece)
22	699478	Screw (Crankcase Cover/ Sump)	33	499642	Valve–Exhaust	60A	281434S	Grip–Starter Rope
23	699488	Flywheel	34	499641	Valve–Intake	65	699228	Screw (Rewind Starter)
23A	699514	Flywheel Used on Type No(s). 0146, 0217.	35	691304	Spring–Valve (Intake)	78	699205	Screw (Flywheel Guard)
24	222698S	Key–Flywheel	36	691304	Spring–Valve (Exhaust)	79	694511	Case–Gear Reduction (Used Before Code Date 06051700).
25	791968	Piston Assembly (Standard) ----- <b>Note</b> ----- 791326 Piston Assembly (.020" Oversize)	37	699661	Guard–Flywheel	79A	792746	Case–Gear Reduction (Used After Code Date 06051600).
26	791969	Ring Set (Standard) (Used After Code Date 05030800). ----- <b>Note</b> ----- 499631 Ring Set (Standard) (Used Before Code Date 05030900). 791324 Ring Set (.020" Oversize) (Used After Code Date 05030800). 692786 Ring Set (.020" Oversize) (Used Before Code Date 05030900).	40	692194	Retainer–Valve	80	792755	Gasket–Gear Case
27	691866	Lock–Piston Pin	45	690977	Tappet–Valve	82	690369	Screw (Gear Reduction Case) (Used Before Code Date 06051700).
28	499423	Pin–Piston	46	693404	Camshaft	82A	790197	Screw (Gear Reduction Case) (Used Before Code Date 06051700).
29	690124	Rod–Connecting	46A	694831	Camshaft Used on Type No(s). 0070, 0165, 0199, 0232, 0235, 0243, 0274, 0570, 1070, 1199, 1235, 1242, 1274. ----- <b>Note</b> ----- 695285 Camshaft Used on Type No(s). 0117, 0229, 0242, 0247, 0253, 0271, 0272, 0286, 0360, 1117, 1229, 1242.	82B	792753	Screw (Gear Reduction Case) (Used After Code Date 06051600).
			51★◆◆	692555	Gasket–Intake	83	690374	Shaft–Auxiliary Drive (Used Before Code Date 06051700).
			55	791848	Housing–Rewind Starter (Used After Code Date 08030200). ----- <b>Note</b> ----- 691422 Housing– Rewind Starter (Used Before Code Date 08030300). (Rewind Starter Parts Used With 3MM Diameter Starter Rope) 791848 Housing– Rewind Starter (Used Before Code Date 08030300). (Rewind Starter Parts Used With 5MM Diameter Starter Rope)	83A	792756	Shaft–Auxiliary Drive (Used After Code Date 06051600).

★ Included in Engine Gasket Set–Ref. No.358.

● Included in Carburetor Overhaul Kit–Ref. No. 121.

◆ Included in Carburetor Gasket Set–Ref. No. 977.

⊘ Included in Valve Gasket Set–Ref. No 1095.

**Illustrations cover a range of engines. Parts shown without corresponding text may not be used on your specific engine.**

# 126300

REF. NO.	PART NO.	DESCRIPTION	REF. NO.	PART NO.	DESCRIPTION	REF. NO.	PART NO.	DESCRIPTION
84	691121	Plug-Breather	109	690023	Shaft-Choke	122	★693749	Spacer-Carburetor
84A	792759	Plug-Breather	109A	693628	Shaft-Choke	122A	695286	Spacer-Carburetor
85	692551	Screw (Gear Cover to Gear Reduction) (Used Before Code Date 06051700).	109C	790624	Shaft-Choke			Used on Type No(s). 0231, 1231.
85A	690711	Screw (Gear Cover to Gear Reduction) (Used After Code Date 06051600).	117	498978	Jet-Main ----- <b>Note</b> ----- 697355 Jet-Main (Standard) Used on Type No(s). 0125, 0152, 0158, 0161, 0163, 0186, 0205, 0207, 0210, 0226, 0237, 0245, 0263, 0272, 0276, 0279, 0286, 0297, 0299, 0321, 0571, 1207, 1237, 1276.	125	696981	Carburetor ----- <b>Note</b> ----- 791077 Carburetor Used on Type No(s). 0121, 0357, 0359, 0386, 0396, 0407, 0413, 0416, 0421, 0525, 0563, 0580, 0616, 0659, 0678, 0775, 0776, 3775, 3776.
86	690608	Cover-Gear (Used Before Code Date 06051700).			498975 Jet-Main (Standard) Used on Type No(s). 0038, 0167, 0174, 0177, 0178, 0216, 0234, 0262, 1167, 1174, 1178.			697028 Carburetor Used on Type No(s). 0125, 0152, 0158, 0161, 0163, 0186, 0205, 0207, 0210, 0226, 0237, 0245, 0263, 0272, 0276, 0279, 0286, 0297, 0299, 0321, 0571, 1207, 1237, 1276.
86A	795647	Cover-Gear (Used After Code Date 08010100). ----- <b>Note</b> ----- 792748 Cover-Gear (Used After Code Date 06051600 and Before Code Date 08010200).	118	498975	Jet-Main (High Altitude) ----- <b>Note</b> ----- 494870 Jet-Main (High Altitude) Used on Type No(s). 0125, 0152, 0158, 0161, 0163, 0186, 0205, 0207, 0210, 0226, 0237, 0245, 0263, 0272, 0276, 0279, 0286, 0297, 0299, 0321, 0571, 1207, 1237, 1276.			698859 Carburetor Used on Type No(s). 0038, 0167, 0174, 0177, 0178, 0216, 0234, 0262, 1167, 1174, 1178.
87	691582	Seal-Gear Reduction (Used Before Code Date 06051700).			497466 Jet-Main (High Altitude) Used on Type No(s). 0038, 0167, 0174, 0177, 0178, 0216, 0234, 0262, 1167, 1174, 1178.	127	●691739	Plug-Welch
87A	792752	Seal-Gear Reduction (Used After Code Date 06051600).				127A	691585	Plug-Welch
88	691600	Gasket-Gear Reduction Cover				130	691181	Valve-Throttle
88A	792760	Gasket-Gear Reduction Cover				130A	691203	Valve-Throttle Used on Type No(s). 0038, 0167, 0174, 0177, 0178, 0216, 0234, 0262, 1174, 1178.
95	691636	Screw (Throttle Valve)				133	398187	Float-Carburetor
97	690024	Shaft-Throttle				134	●398188	Kit-Needle/Seat
98	398185	Kit-Idle Speed (Carburetor)				137	●693981	Gasket-Float Bowl
104	●691242	Pin-Float Hinge				146	690979	Key-Timing
108	692567	Valve-Choke ----- <b>Note</b> ----- 699111 Valve-Choke Used on Type No(s). 0038, 0167, 0174, 0177, 0178, 0216, 0234, 0262, 1174, 1178.	121	696998	Kit-Carburetor Overhaul			

★ Included in Engine Gasket Set-Ref. No.358.

● Included in Carburetor Overhaul Kit-Ref. No. 121.

◆ Included in Carburetor Gasket Set-Ref. No. 977.

⊗ Included in Valve Gasket Set-Ref. No 1095.

**Illustrations cover a range of engines. Parts shown without corresponding text may not be used on your specific engine.**

REF. NO.	PART NO.	DESCRIPTION	REF. NO.	PART NO.	DESCRIPTION	REF. NO.	PART NO.	DESCRIPTION
155	★698214	Plate-Cylinder Head	219	693578	Gear-Governor	305	699480	Screw (Blower Housing)
161	699207	Base-Air Cleaner (Flat Panel Air Cleaner)	220	691724	Washer (Governor Gear)	306	693610	Shield-Cylinder
161A	790631	Base-Air Cleaner (Ultra Low Air Cleaner)	222	699589	Bracket-Control (Used Before Code Date 06051500).	307	699483	Screw (Cylinder Shield)
163★◆696024		Gasket-Air Cleaner (Flat Panel Air Cleaner)	222C	699590	Bracket-Control (Used Before Code Date 06051500).	309	694504	Motor-Starter
163A★◆792870		Gasket-Air Cleaner (High Mount)	222D	793107	Bracket-Control (Used After Code Date 06051400).	310	690323	Screw (Starter Motor)
170	699818	Stud (Crankcase Cover)	222F	793100	Bracket-Control (Used After Code Date 06051400).	311	497608	Brush Set
186	692317	Connector-Hose	227	692573	Lever-Governor Control	317	695494	Cover-Starter
187	791766	Line-Fuel (Cut to Required Length)	238	691300	Valve-Cap	332	792723	Nut (Flywheel)
187A	791867	Line-Fuel (Molded)	240	298090S	Filter-Fuel ----- <b>Note</b> -----	333	695711	Armature-Magneto
187B	791874	Line-Fuel (Molded)			394358S	334	699477	Screw (Magneto Armature)
187C	791866	Line-Fuel (Molded)			Filter-Fuel Used on Type No(s). 0202, 0215, 0402.	337	491055S	Plug-Spark (Resistor)
188	699479	Screw (Control Bracket)	240A	694485	Filter-Fuel			----- <b>Note</b> -----
190	699220	Screw (Fuel Tank)	265	691024	Clamp-Casing	347	697854	Switch-Rocker ----- <b>Note</b> -----
192	694543	Adjuster-Rocker Arm	267	699492	Screw (Casing Clamp)			698338
209	692571	Spring-Governor ----- <b>Note</b> -----	268	691025	Casing-Control Wire (Cut to Required Length)			Switch-Rocker Used on Type No(s). 0038, 0043, 0168, 0188, 0211, 0213, 0217, 0234, 0237, 0401, 0423, 1237.
	693206	Spring-Governor Used on Type No(s). 0023, 0035, 0038, 0060, 0070, 0120, 0135, 0137, 0151, 0163, 0191, 0212, 0234, 0262, 0273, 0278, 0282, 0285, 0295, 0361, 0362, 0523, 0535, 0560, 0570, 1023, 1035, 1070, 1253, 1560.	269	691026	Wire-Control (Cut to Required Length)	356	693651	Wire-Stop
	693710	Spring-Governor Used on Type No(s). 0117, 0152, 0243, 0256, 0274, 0571, 1117, 1243, 1274.	270	691027	Nut (Control Wire Casing)	356A	692390	Wire-Stop
209A	691278	Spring-Governor	271	691028	Lever-Control	356B	692602	Wire-Stop
			271A	694256	Lever-Control	356C	695630	Wire-Stop
			276	◆271716	Washer-Sealing	356D	695283	Wire-Stop
			281	793122	Panel-Control	356E	695814	Wire-Stop
			286	698611	Module-Oil Sensor	356F	697397	Wire-Stop
			287	699629	Screw (Dipstick Tube)	357	691483	Key-Drive Pulley Used on Type No(s). 0207, 0276. ----- <b>Note</b> -----
			300	693593	Muffler			692191
			300A	699231	Muffler			Key-Drive Pulley Used on Type No(s). 0162.
			300E	791595	Muffler	357A	690339	Key-Drive Pulley Used on Type No(s). 0274, 1274.
			304	699598	Housing-Blower			

★ Included in Engine Gasket Set-Ref. No.358.

● Included in Carburetor Overhaul Kit-Ref. No. 121.

◆ Included in Carburetor Gasket Set-Ref. No. 977.

⊘ Included in Valve Gasket Set-Ref. No 1095.

**Illustrations cover a range of engines. Parts shown without corresponding text may not be used on your specific engine.**

# 126300

REF. NO.	PART NO.	DESCRIPTION	REF. NO.	PART NO.	DESCRIPTION	REF. NO.	PART NO.	DESCRIPTION
358	791797	Gasket Set-Engine	601	791850	Clamp-Hose	663	699206	Screw
363	19203	Puller-Flywheel	608	795930	Starter-Rewind			(Control Panel)
364	695693	Terminal-Oil Plug			(Used After Code Date	668	694257	Spacer
365	699484	Screw			08030200).	675	691261	Washer
		(Carburetor)			----- <b>Note</b> -----			(Brush Retainer)
383	19374S	Wrench-Spark Plug			<b>693394</b> Starter-	676	393757	Deflector-Muffler
415	693463	Plug			Rewind	676A	697816	Deflector-Muffler
415A	792749	Plug			(Used Before Code	676B	395700	Deflector-Muffler
425	699208	Screw			Date 08030300).	677	690661	Screw
		(Air Cleaner Cover)			(Rewind Starter Parts			(Muffler Deflector)
425A	699492	Screw			Used With 3MM	677A	699776	Screw
		(Air Cleaner Cover)			Diameter Starter			(Muffler Deflector)
427	694255	Nut			Rope)	689	691855	Spring-Friction
		(Control Bracket)			<b>791670</b> Starter-	692	690572	Spring-Detent
445	491588S	Filter-Air Cleaner			Rewind	697	790537	Screw
		Cartridge			(Used Before Code			(Starter Motor)
		(Flat Panel)			Date 08030300).			(Used After Code Date
445A	697029	Filter-Air Cleaner			(Rewind Starter Parts			04110800).
		Cartridge			Used With 5MM			----- <b>Note</b> -----
		(High Mount)			Diameter Starter			<b>699773</b> Screw
455	692591	Cup-Flywheel			Rope)			(Starter Motor)
456	692299	Plate-Pawl Friction			<b>497680</b> Starter-			(Used Before Code
459	281505S	Pawl-Ratchet			Rewind			Date 04110900).
467	691668	Knob-Air Cleaner			Used on Type No(s).	717	693462	Bracket-Air Cleaner
474	694457	Alternator			0206, 0217.	718	690959	Pin-Locating
		----- <b>Note</b> -----	613	699209	Screw	725	792874	Shield-Heat
		<b>793640</b> Alternator			(Muffler)	727	698039	Cover-Starter Drive
		Used on Type No(s).	613A	699480	Screw	728	699632	Screw
		0146.			(Muffler)			(Heat Shield)
504	694254	Washer Set-Friction	613B	697812	Screw	732	699200	Screw
505	691251	Nut			(Muffler)			(Starter Drive Cover)
		(Governor Control	615	692576	Retainer-Governor	741	695087	Gear-Timing
		Lever)			Shaft	742	692564	Retainer-E Ring
510	499308	Drive-Starter	616	692547	Crank-Governor	746	790278	Gear-Idler
513	692024	Drive-Clutch	619	699480	Screw	773	694258	Retainer
523	693618	Dipstick			(Cylinder Head Plate)	783	692353	Gear-Pinion
		----- <b>Note</b> -----	621	692310	Switch-Stop	792	694259	Bracket-Fixed Speed
		<b>790546</b> Dipstick	632	693408	Spring/Link-Mechani-	797	691029	Nut
		Used on Type No(s).			cal Governor			(Brush Retainer)
		0359, 0580.	633	◆693867	Seal-Choke/Throttle	799	699202	Screw
524	281370S	Seal-Dipstick Tube			Shaft			(Oil Sensor)
544	692966	Armature-Starter	633A	◆691321	Seal-Choke/Throttle	801	694482	Cap-Drive
552	692346	Bushing-Governor			Shaft	802	691286	Cap-End
		Crank	635	692076	Boot-Spark Plug	803	693757	Housing-Starter
562	691119	Bolt	635A	692927	Boot-Spark Plug	819	699233	Screw
		(Governor Control	652	699755	Screw			(Muffler Bracket)
		Lever)			(Support Bracket)	823	699209	Screw
575	692303	Switch-Starting	652A	699480	Screw			(Muffler Adapter)
597	691696	Screw			(Support Bracket)			
		(Pawl Friction Plate)						

★ Included in Engine Gasket Set-Ref. No.358.

● Included in Carburetor Overhaul Kit-Ref. No. 121.

◆ Included in Carburetor Gasket Set-Ref. No. 977.

⊘ Included in Valve Gasket Set-Ref. No 1095.

**Illustrations cover a range of engines. Parts shown without corresponding text may not be used on your specific engine.**

REF. NO.	PART NO.	DESCRIPTION	REF. NO.	PART NO.	DESCRIPTION	REF. NO.	PART NO.	DESCRIPTION
830	694544	Stud-Rocker Arm	967	493537S	Filter-Pre Cleaner (Flat Panel)	1210	791849	Pulley/Spring Assembly
832	693583	Guard-Muffler	967A	273356S	Filter-Pre Cleaner (High Mount)			(Pulley) (Used After Code Date 08030200).
832A	697818	Guard-Muffler	968	692584	Cover-Air Cleaner (Flat Panel Air Cleaner)			----- <b>Note</b> ----- <b>498144</b> Pulley/Spring Assembly
832B	696516	Guard-Muffler	968A	693460	Cover-Air Cleaner (High Mount)			(Pulley) (Used Before Code Date 08030300).
832D	791600	Guard-Muffler	968B	791082	Cover-Air Cleaner (Ultra Low Air Cleaner)			(Rewind Starter Parts Used With 3MM Diameter Starter Rope)
836	699203	Screw (Muffler Guard)	971	690370	Screw (Air Cleaner Base)			<b>791849</b> Pulley/Spring Assembly
836A	699632	Screw (Muffler Guard)	971A	690349	Screw (Air Cleaner Base)			(Pulley) (Used Before Code Date 08030300).
836B	699209	Screw (Muffler Guard)	971B	699629	Screw (Air Cleaner Base)			(Rewind Starter Parts Used With 5MM Diameter Starter Rope)
836C	699234	Screw (Muffler Guard)	972	694260	Tank-Fuel			<b>791849</b> Pulley/Spring Assembly
836D	699204	Screw (Muffler Guard)	975	493640	Bowl-Float			(Used Before Code Date 08030300).
836E	699755	Screw (Muffler Guard)	977	792007	Gasket Set-Carburetor			(Rewind Starter Parts Used With 5MM Diameter Starter Rope)
842	691031	Seal-O Ring (Dipstick Tube)	993	Ø694088	Gasket-Cylinder Head Plate			(Used With 5MM Diameter Starter Rope)
843	695588	Sleeve-Lever	994	790153	Arrester-Spark			
847	693617	Dipstick/Tube Assembly	1005	692592	Fan-Flywheel	1211	791849	Pulley/Spring Assembly
		----- <b>Note</b> ----- <b>790545</b> Dipstick/Tube Assembly Used on Type No(s). 0326, 0580.	1005A	794273	Fan-Flywheel			(Spring) (Used After Code Date 08030200).
851	493880S	Terminal-Spark Plug	1019	694852	Kit-Label			----- <b>Note</b> ----- <b>498144</b> Pulley/Spring Assembly
863	699229	Bracket-Muffler	1022	★Ø691890	Gasket-Rocker Cover			(Spring) (Used Before Code Date 08030300).
864	699232	Adapter-Muffler	1023	499924	Cover-Rocker Arm			(Rewind Starter Parts Used With 3MM Diameter Starter Rope)
868	★Ø692044	Seal-Valve	1026	790287	Rod-Push			<b>791849</b> Pulley/Spring Assembly
875	697030	Base-Air Cleaner (High Mount)	1029	691230	Arm-Rocker			(Used After Code Date 08030200).
883	★691893	Gasket-Exhaust	1034	691343	Guide-Push Rod			----- <b>Note</b> ----- <b>498144</b> Pulley/Spring Assembly
883A	★692237	Gasket-Exhaust (Adapter Mounting)	1036		Label-Emissions (Available From An Authorized Briggs & Stratton Sevice Dealer)			(Spring) (Used Before Code Date 08030300).
890	790203	Bracket-Support	1051	691265	Ring-Retaining			(Rewind Starter Parts Used With 3MM Diameter Starter Rope)
914	699480	Screw (Rocker Cover) (Bottom)	1052	790141	Sensor-Oil			(Used With 3MM Diameter Starter Rope)
914A	692557	Screw (Rocker Cover) (Top)	1054	280275	Cable-Tie			<b>791849</b> Pulley/Spring Assembly
914B	697551	Screw (Rocker Cover) (Center)	1058	277040	Operator's Manual			(Spring) (Used Before Code Date 08030300).
951	790630	Lever-Choke	1070	699201	Screw (Flywheel Fan)			(Rewind Starter Parts Used With 5MM Diameter Starter Rope)
957	792647	Cap-Fuel Tank	1090	691293	Retainer-Brush			
958	698180	Valve-Fuel Shut Off	1095	791798	Gasket Set-Valve			
961	698304	Screw (Air Cleaner Bracket)	1119	699772	Screw (Alternator)			
			1172	699230	Screw (Fixed Speed Bracket)	1217	691075	Washer (Starting Switch)
						1225	696198	Nut (Starting Switch)
						1305	699691	Screw (Oil Sensor Module)
						1319	794467	Label-Warning
						1330	272147	Repair Manual

★ Included in Engine Gasket Set-Ref. No.358.

● Included in Carburetor Overhaul Kit-Ref. No. 121.

◆ Included in Carburetor Gasket Set-Ref. No. 977.

Ø Included in Valve Gasket Set-Ref. No 1095.

**Illustrations cover a range of engines. Parts shown without corresponding text may not be used on your specific engine.**